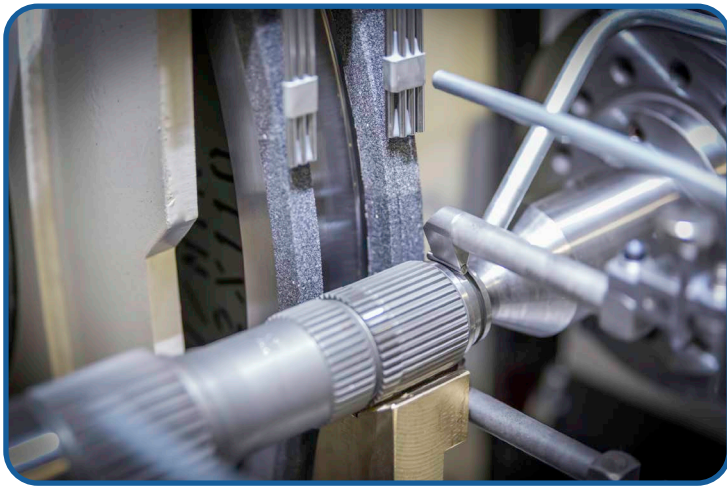




YOUR cylindrical grinding machine manufacturer

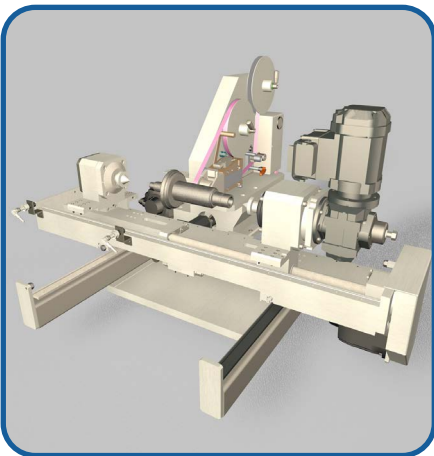
TECHNOLOGIES

External- / internal cylindrical grinding



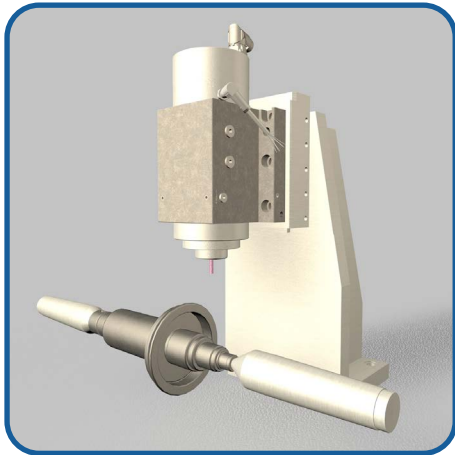
At GST you will find the perfect external and internal cylindrical grinding solutions for your application! GST supplies grinders for external grinding as well as a combination with internal cylindrical grinding. Various grinding wheels (external and internal) can be used simultaneously.

Grinding / Superfinishing



- More stringent quality requirements that need superfinishing after the grinding process
- Complete processing of the workpieces in one machine
- Automation by GST in one compact unit – saving space/energy/operating staff and maintenance
- Integrated in the machine control
- Easy programming through cycle programming

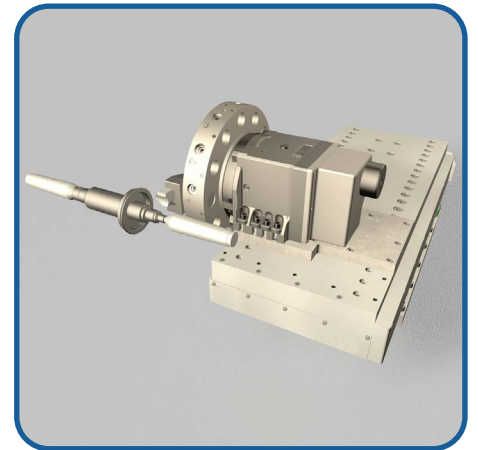
Grinding / Milling & Groove milling



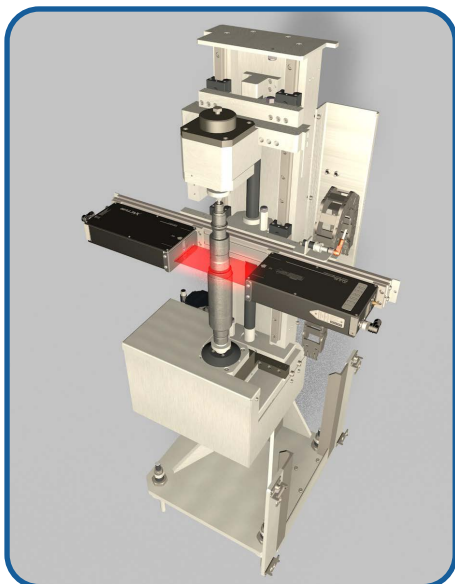
- (Groove-) Milling as a supplement to the grinding process in large-scale production
- Using the stability of the grinding machine for the quality of (groove-) milling
- A method to completely process a workpiece, with contours that are not grindable
- Highest accuracy, as processing is made in just one clamping set-up
- Control through the machine control system
- Easy programming by parameterizing subprograms

Grinding / Hard turning

- Hard turning as a supplement to the grinding process in large-scale production
- Using the stability of the grinding machine for the quality of hard turning
- A method to completely process a workpiece, with contours that are not grindable
- Highest accuracy, as processing is made in just one clamping set-up
- Machine control Sinumerik One
- Easy programming by parameterizing subprograms (cycle programming)



Grinding / Post process measuring



- Can be used universally for a great variety of workpieces, due to the use of an automated laser measurement system
- Integrated length measuring probe
- Automation by GST from machine to post process measuring station
- Complete measuring of workpieces possible
- Storing of measuring programs for different types of workpieces
- Automated machine correction
- Automated measured data transmission to quality control
- Integrated in the machine control system
- Easy programming through cycle programming
- Separate screen for the display of measured data and statistics
- 1000-2000 measurements/hour
- Combined with cleaning station
- Workpiece length up to 400mm, Ø up to 120mm